

Zebra® Z Series®

The Price-Performance Leaders



ZM400™ and ZM600™—Flexing New Powers

The ZM400 and ZM600 printers bring added flexibility to the popular Z Series platform, which has always stood out from the competition in terms of both performance and price. With 10-inches-per-second print speed, industry-leading throughput, rugged reliability, and a wide selection of options, these full-sized metal printers enhance productivity in tough environments and demanding applications.

Better Connected for a Connected World

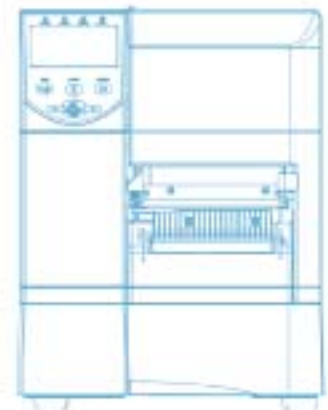
The new Z Series printers better connect with most warehouse/manufacturing and business applications. The ZM400 and ZM600 are better connected to your network—through USB 2.0, 802.11b/g secure wireless, or our new ZebraNet® 10/100 Print Server that allows simultaneous parallel and Ethernet connectivity. They're better connected to your applications—with RFID Ready investment protection, choice of print resolution including 600 dpi, and XML-enabled printing. And they're better connected to your needs—with easy setup via a large, easy-to-read front panel that includes Asian-language support; easy loading of supplies; and easy maintenance with quick-changing printheads and platens.

RYZEX

Ryzex
4600 Ryzex Way
Bellingham, Wa 98226
800-732-4835

On top of the hard-working durability and easy use of these die-cast metal frame printers, the speed-optimized ZM400 and ZM600 are perfect for:

- Work in process
- Order fulfillment
- Compliance labeling
- Distribution
- Warehouse management
- Shipping/Receiving
- Hospitality/Transportation ticketing
- Pharmacy/Healthcare





ZM400 ZM600

Delivering quick first label out, shorter print times, and application flexibility, Z Series printers are unbeatable for enhancing productivity and the bottom line.

Specifications at a Glance*

STANDARD FEATURES

Print methods: Thermal transfer or direct thermal
Construction: Die-cast aluminum base, frame and printhead mechanism
Metal media cover with large clear window
Element Energy Equalizer™ (E²) for superior print quality
Auto-calibration
Real-time clock
Auto-ranging (90-265 VAC) power supply
Color-coded operator cues
Multi-language control panel with back-lit 240 x 128 pixel display

PRINTER SPECIFICATIONS

Resolution

203 dpi/8 dots per mm; 300 dpi/12 dots per mm; 600 dpi/24 dots per mm (ZM400 only)

Memory

Standard: 8 MB Flash, 16 MB DRAM
Optional: Factory Installed 64 MB Flash

Print Width

ZM400: 4.09"/104 mm
ZM600: 5.67"/168 mm

Print Length

ZM400: with 203 dpi: 157"/3,988 mm; with 300 dpi: 73"/1,854 mm; with 600 dpi: 39"/991 mm
ZM600: with 203 dpi: 102"/2,590 mm; with 300 dpi: 45"/1,143 mm

Print Speed

203 dpi: 10"/254 mm per second;
300 dpi: 8"/203 mm per second;
600 dpi: 4"/102 mm per second

Media Sensors

Fixed reflective sensor
Adjustable transmissive sensor

MEDIA CHARACTERISTICS

Maximum label and liner length

Maximum non-continuous: 39"/991 mm

Maximum label and liner width

4.5"/114 mm—ZM400
7.0"/178 mm—ZM600

Maximum roll diameter

8.0"/203 mm

Core diameter

3"/76 mm

Media thickness

0.0023"/0.058 mm to 0.010"/.25 mm

Media types

Continuous, die-cut, tags, black-mark
For optimum print quality and performance, use genuine Zebra™ supplies.

RIBBON CHARACTERISTICS

Outside diameter

3.2"/81.3 mm

Standard length

984/300 m or 1476/450 m

Ratio

3:1 media roll to ribbon.
Ribbon must be at least as wide as media

Width

2.00"/51 mm to 4.33"/110 mm

Ribbon setup

Ribbon wound ink-side out (ribbon wound ink-side in can be used with optional ribbon spindle)

Core I.D.

1.0"/25.4 mm

OPERATING CHARACTERISTICS

Environmental

Operating temperature:
32° F/0° C to 104° F/40° C (Direct Thermal)
40° F/5° C to 104° F/40° C (Thermal Transfer)
Storage temperature: -40° F/-40° C to 140° F/80° C

Operating humidity: 20-85% non-condensing
Storage humidity: 5-85% non-condensing

Electrical

Universal auto-ranging (PFC-compliant) power supply 90-265 VAC; 48-62Hz

Agency Approvals

IEC60950-1, EN55024, EN61000-3-2, EN61000-3-3, EN 55022 Class B
Markings: cTUVus, CE, FCC-B, ICES-003, VCCI, C-Tick, NOM, CCC, GOST-R, BSMI, S-Mark (Arg), SABS, MIC, ZIK

PHYSICAL CHARACTERISTICS

Width: 10.9"/278 mm
Height: 13.3"/338 mm
Depth: 18.7"/475 mm
Weight: 32.4 lbs/15 kg
Shipping weight: 49 lbs/22 kg

ZEBRALINK™ SOLUTIONS

Software

ZebraDesigner™ Pro
ZebraDesigner for XML
ZebraNet™ Bridge Enterprise
ZebraNet Utilities v 7.0
Zebra Universal Driver
Additional scalable and bitmapped fonts available

Networking/Connectivity

ZebraNet™ Wireless Plus
ZebraNet 10/100 Print Server
ZebraNet PrintServer II
RS-232C serial port
High-speed, IEEE 1284, bi-directional parallel interface
USB 2.0

Firmware

ZPL II™
EPL™
XML-enabled Printing
APL™
Web View
Alert

FONTS/GRAPHICS/SYMBOLOLOGIES

Fonts and Character Sets

7 bitmapped, 1 smooth scalable
Native open type font support
Global Printing—Unicode™ compliant for fast multi-language, on demand thermal printing right out of the box.

Contains UFST® from Monotype Imaging Inc.

Graphic Features

Supports user-defined fonts and graphics—including custom logos
ZPL II drawing commands—for boxes and lines

Bar Code Symbolologies

Linear Bar Codes: Code 11, Code16k, Code 39, Code 93, Code 128 with subsets A/B/C and UCC Case C Codes, UPC-A, UPC-E, EAN-8, EAN-13, UPC and EAN 2 or 5 digit extensions, Plessey, Postnet, Standard 2-of-5, Industrial 2-of-5, Interleaved 2-of-5, Logmars, MSI, Codabar, Planet Code

2-Dimensional: Codeblock, PDF417, Code 49, Data Matrix, MaxiCode, QR Code, MicroPDF417, TLC 39, GS1 DataBar (RSS), Aztec

OPTIONS AND ACCESSORIES

Factory installed 64 MB Flash memory option
Cutter with catch tray
Peel—a front mount, passive peel option with no liner take-up
Liner take-up (works with peel option)—full roll liner take-up spindle (fits standard base, ZM400 only)
Rewind—internally rewinds full label roll on 3" core (comes with taller, non-standard printer base)
RS-422/485 serial port adapter
Optional ribbon spindle to support ribbon wound ink-side in (ZM400 only)

*Specifications subject to change without notice.

©2007 ZH Corp. ZebraLink, ZebraDesigner, ZebraNet, APL, Element Energy Equalizer and all product names and numbers are Zebra trademarks and Zebra, Z Series, E1, ZebraNet and ZPL II are registered trademarks of ZH Corp. All rights reserved. Unicode is a trademark of Unicode, Inc. UFST is a trademark of Monotype Imaging Inc. and may be registered in certain jurisdictions. All other trademarks are the property of their respective owners.

For optimal printing quality and proper printer performance across our product line, Zebra strongly recommends the use of genuine Zebra supplies as part of the total solution. Specifically, the ZM400 and ZM600 are designed to work only with genuine Zebra™ print heads, thus maximizing safety and print quality.



GLOBAL/AMERICAS HEADQUARTERS

Zebra Technologies Corporation
333 Corporate Woods Parkway
Semon Hills, IL 60081-3108 U.S.A.
T: +1 847 793 2000 or
+1 800 423 0442
F: +1 847 913 8766

EMEA HEADQUARTERS

Zebra Technologies Europe, Limited
Zebra House, Unit 14, The Valley Centre
Gordon Road, High Wycombe
Buckinghamshire, HP13 6EQ, UK
T: +44 (0) 494 472872
F: +44 (0) 494 453103

ASIA-PACIFIC HEADQUARTERS

Zebra Technologies Asia Pacific, LLC
16 New Industrial Road
#15-03 Hudson TechnoCentre
Singapore 536204
T: +65 6886 0722
F: +65 6885 0838



An ISO 9001 registered company
GSAP: 05-2870289
©2007 ZH Corp. Printed in U.S.A.
#1305PL Rev. 13/14/01 SW

OTHER LOCATIONS ■ USA: California, Rhode Island, Texas, Wisconsin ■ EUROPE: France, Germany, Italy, Netherlands, Poland, Spain, Sweden
ASIA-PACIFIC: Australia, China, Japan, South Korea ■ LATIN AMERICA: Florida (USA), Mexico ■ AFRICA/MIDDLE EAST: South Africa, United Arab Emirates